



# FANQUIP

## Side Channel Blowers

Heavy Duty, Light Weight

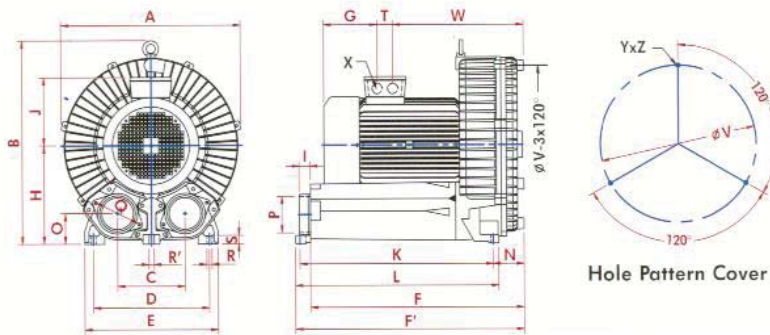


Call Toll Free: 1300 224 308

# Side Channel Blowers

## Performance Data

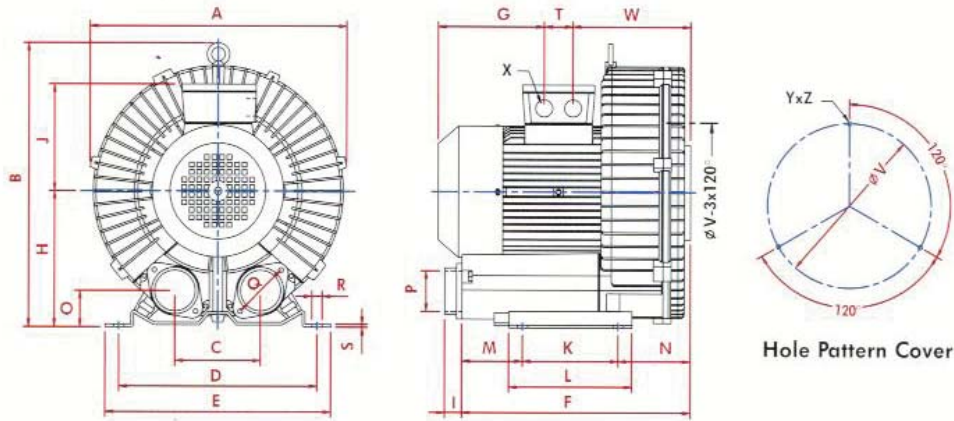
Model Number	Rated Output kW	Voltage	Current A	Voltage	Current A	Static Pressure Vacuum/Compressor mbar	Max Volume m <sup>3</sup> /min	Noise dB	Weight kg	Pressure Relief Valve Type RV-_*_	Suction Filter
HB-229	0.4	240	2.25	415	1.29	110/130	1.4	58	11	01*1/01*1	MF10
HB-329	0.75	240	3.7	415	2.14	140/140	2.4	63	14.5	01*1/01*1	MF12
HB-339	1.3	240	4.6	415	2.65	175/200	2.4	63	16	01*1/01*1	MF12
HB-429-1	0.9	240	4.2	415	2.4	130/120	3.6	70	20.5	01*1/01*1	MF16
HB-429-2	1.3	240	5.7	415	3.3	180/180	3.6	70	22	01*1/01*1	MF16
HB-429	1.75	240	6.7	415	3.9	210/220	3.6	70	23	01*1/01*1	MF16
HB-429-9	1.75	240	6.7	415	3.9	140/160	3.6	70	23	01*1/01*1	MF16
HB-429L	1.75	240	6.7	415	3.9	210/220	3.6	70	23.5	01*1/01*1	MF16
HB-439	2.2	240	7.8	415	4.5	220/270	3.6	70	26	01*1/01*1	MF16
HB-529	2.2	240	9.7	415	5.6	230/220	5.2	72	32	01*1/01*1	MF16
HB-529-9	2.2	240	9.7	415	5.6	160/200	5.2	72	32	01*1/01*1	MF16
HB-529L	2.2	240	9.7	415	5.6	230/220	5.2	72	32.5	01*1/01*1	MF16
HB-629	3.4	240	12.5	415	7.2	255/280	5.2	72	35	01*1/01*1	MF16
HB-629L	3.4	240	12.5	415	7.2	255/280	5.2	72	35.5	01*1/01*1	MF16
HB-639	4.0	240	14.3	415	8.2	270/325	5.2	72	38	01*1/01*1	MF16
HB-729	5.5	240	21	415	12	270/300	9.2	74	78	01*1/01*1	MF20
HB-829	7.5	240	27	415	15.6	295/395	9.2	74	82	02*1/02*1	MF20
HB-919	9	240	36	415	20.8	200/190	18.9	76	100	-	MF32
HB-929	13	240	46.8	415	27	305/295	18.9	76	112	-	MF32
HB-939	20	240	66.7	415	38.6	350/440	18.9	76	159	-	MF32



## Dimensions

Model Number	Phase $\emptyset$	A mm	B mm	C mm	D mm	E mm	F mm	F' mm	G mm	H mm	I mm	J mm	K mm	L mm
HB-919	3	560	630	210	360	414	663	710	163	305	35	211	600	631.5
HB-929	3	560	630	210	360	414	663	710	163	305	35	211	600	631.5
HB-939	3	560	630	210	360	414	663	710	163	305	35	211	600	631.5

Model Number	Phase $\emptyset$	N mm	O mm	P mm	Q mm	R mm	R' mm	S mm	T mm	V mm	V-Hole mm	W mm	X mm
HB-919	3	96	95	PF4"	150	16	16	25.5	55	$\emptyset$ 490	0°/120°/240°	402.5	PF1"
HB-929	3	96	95	PF4"	150	16	16	25.5	55	$\emptyset$ 490	0°/120°/240°	402.5	PF1"
HB-939	3	96	95	PF4"	150	16	16	25.5	55	$\emptyset$ 490	0°/120°/240°	402.5	PF1"



Hole Pattern Cover

## Dimensions

Model Number	Phase $\emptyset$	A mm	B mm	C mm	D mm	E mm	F mm	G mm	H mm	I mm	J mm	K mm	L mm	M mm
HB-229	1/3	245	249	92	205	227	226	119	130	29	114.5	83	108	70.5
HB-329	1/3	284	300	115	225	253	238	107	152	-	124	95	130	68.5
HB-429	1/3	332	338	122	260	296	300	152	176	25	134	115	155	102
HB-439	3	332	338	122	260	296	300	152	176	25	134	115	155	102
HB-529	3	383	415	125	290	330	338	156.5	196	25	160	140	180	92
HB-629	3	383	415	125	290	330	338	156.5	196	25	160	140	180	92
HB-639	3	383	415	125	290	330	338	156.5	196	25	160	140	180	92
HB-729	3	466	556	147	365	422	461.5	163	270	31	180	280	316	155
HB-829	3	466	556	147	365	422	461.5	163	270	31	180	280	316	155
HB-229L	1/3	244.5	249	92	205	227	226	119	130	29	114.5	83	108	70.5
HB-329L	1/3	284	300	115	225	253	238	107	152	-	124	95	130	68.5
HB-429L	1/3	332	338	122	260	296	300	152	176	25	134	115	155	102
HB-529L	3	383	415	125	290	330	338	156.5	196	25	160	140	180	92
HB-629L	3	383	415	125	290	330	338	156.5	196	25	160	140	180	92

Model Number	Phase $\emptyset$	N mm	O mm	P mm	Q mm	R mm	S mm	T mm	V mm	V-Hole mm	W mm	X mm
HB-429	1/3	83	44	PF2"	83	$\emptyset$ 14	4	-	$\emptyset$ 200	0°/120°/240°	158	PF1/2"
HB-439	3	83	44	PF2"	83	$\emptyset$ 14	4	-	$\emptyset$ 200	0°/120°/240°	158	PF1/2"
HB-529	3	106	51	PF2"	83	$\emptyset$ 15	4	42	$\emptyset$ 240	0°/120°/240°	171.5	PF3/4"
HB-629	3	106	51	PF2"	83	$\emptyset$ 15	4	42	$\emptyset$ 240	0°/120°/240°	171.5	PF3/4"
HB-639	3	106	51	PF2"	83	$\emptyset$ 15	4	42	$\emptyset$ 240	0°/120°/240°	171.5	PF3/4"
HB-729	3	26.5	84	PF2 1/2"	128	$\emptyset$ 16	28	42	$\emptyset$ 408	15°/135°/255°	263	PF3/4"
HB-829	3	26.5	84	PF2 1/2"	128	$\emptyset$ 16	28	42	$\emptyset$ 408	15°/135°/255°	263	PF3/4"
HB-229L	1/3	72.5	40	PF1 1/4"	64	$\emptyset$ 10	2.3	-	$\emptyset$ 140	0°/120°/240°	152	PF1/2"
HB-329L	1/3	74.5	42.5	PF1 1/2"	68	$\emptyset$ 12	3	-	$\emptyset$ 174	0°/120°/240°	188	PF1/2"
HB-429L	1/3	83	44	PF2"	83	$\emptyset$ 14	4	-	$\emptyset$ 200	0°/120°/240°	202	PF1/2"
HB-529L	3	106	51	PF2"	83	$\emptyset$ 15	4	42	$\emptyset$ 240	0°/120°/240°	198	PF3/4"
HB-629L	3	106	51	PF2"	83	$\emptyset$ 15	4	42	$\emptyset$ 240	0°/120°/240°	198	PF3/4"

# Side Channel Blowers

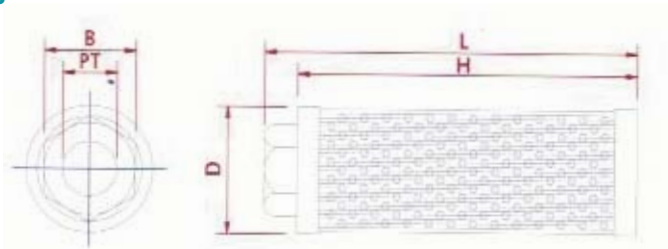
## General Description

The new range of FANQUIP Side Channel Blowers are ready to install as either vacuum pumps or as compressors. They can be mounted in any position, horizontally or vertically.

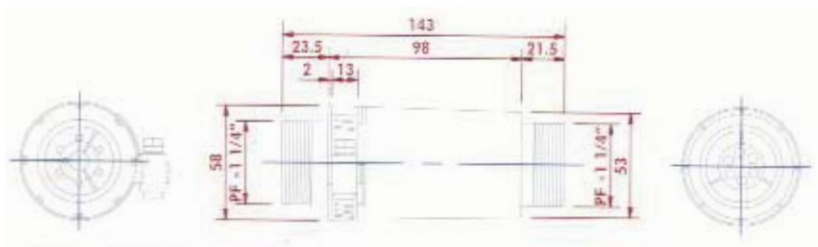
## Features

- Oil free - there is no contact between the impeller rotors and its housing, meaning no lubrication is needed
- Low noise - a built in silencer and low-noise motors ensure low operating noises
- High pressure
- Precision radial impeller
- Direct drive

## Parts



Type	PT	D mm	L mm	H mm	B mm	Filtration Mesh	Flow l/min	Weight kg
MF-10	1¼"	71	186	170	54	100	210	0.35
MF-12	1½"	85	196	182	65	100	285	0.49
MF-16	2"	103	215	202	75	100	395	0.65
MF-20	2½"	148	274	252	97	100	750	1.20
MF-32	4"	208	380	357	142	100	1000	2.45



Type	PT	L mm	Dimension
RV-01	1¼"	143	0-3000 mmAq
RV-02	1¼"	143	0-6000 mmAq

