



FANQUIP

Vertical Discharge Roof Fans

Supply or Extract



Call Toll Free: 1300 224 308

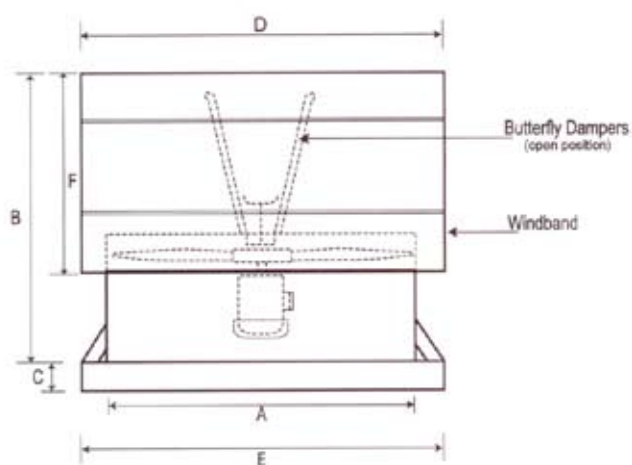


Vertical Discharge Roof Fans

PERFORMANCE DATA

Performance Data	Model No. (1 Ph/3 Ph)	Fan Diameter mm	Fan Speed rpm	Motor Power kW	Noise dBA (at 3m)	Current F.L.A. (1 Ph/3 Ph)	Free Air Delivery l/s
	3-30241/3	300	1440	0.25	55	1.4/1.1	740
	3-40161/3	400	960	0.15	48	1.2/1.1	1170
	3-40241/3	400	1440	0.25	57	1.4/1.1	1480
	3-50241/3	500	1440	0.55	64	3.3/1.3	2250
	3-60161/3	600	960	0.37	62	3.3/1.3	3020
	3-60241/3	600	1440	1.1	72	6.9/3.3	4360
	3-80123	800	720	0.55	64	2.3	5160
	3-80163	800	960	1.1	66	3.4	6610
	3-10123	1000	720	1.5	67	5.5	10040
	3-12123	1200	580	2.2	67	6.1	14000
	3-15123	1200	460	3.0	69	8.2	19000

Noise level is indicative and should only be used to indicate relative values as actual figures depend on the situation of the fan and relevant field conditions.



Fanquip VDR Fan clearly showing the windband. The butterfly dampers are just visible in the closed position as the fan is not in operation.

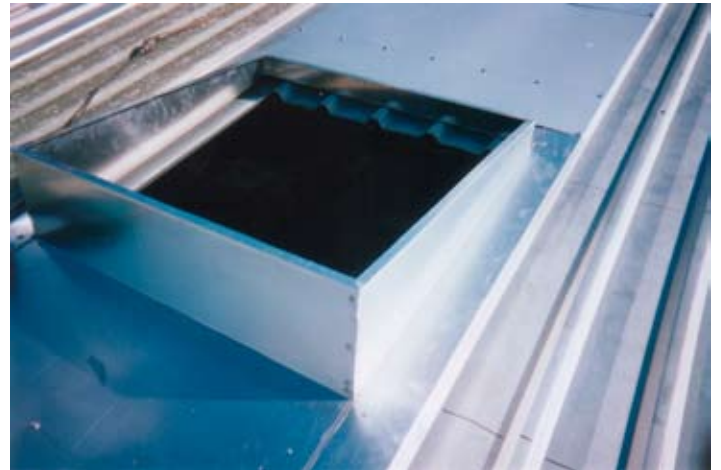
DIMENSIONS

Fan Diameter mm	A mm	B mm	C mm	D mm	E mm	F mm
300	305	500	60	410	430	300
400	410	500	60	510	540	300
500	510	600	75	610	650	400
600	610	600	75	710	760	400
700	710	750	75	810	860	500
800	810	750	75	910	960	500
900	915	950	75	1010	1060	600
1000	1010	1050	80	1110	1170	700
1100	1120	1110	100	1210	1370	700
1200	1220	1150	100	1300	1420	800
1500	1520	1300	100	1610	1720	900

ROOF FAN INSTALLATION GUIDE

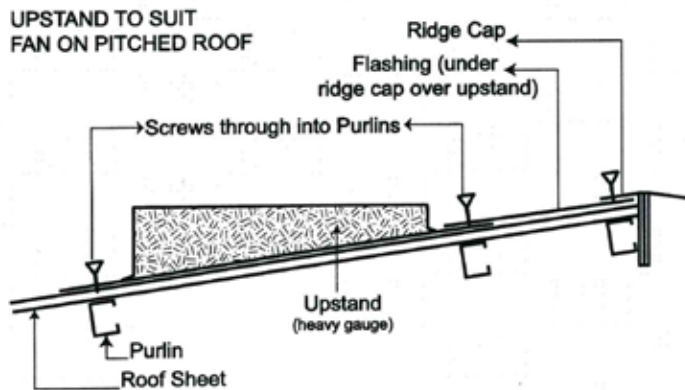
Step 1

Identify roof pitch, purlin spacing, roof profile (corrugated iron, trimdeck, etc), and long distance of fan installation point to ridge cap. Ready-to-fit upstands available from Fanquip.



Step 2

Mark and cut opening through roof sheets - between purlins if possible. If purlin spaces are smaller than upstand, cut opening directly over a purlin. Ensure that upper and lower side of upstand is supported by purlins. Sit upstand directly over opening. Fasten into roof sheeting *and* purlins with suitable roof fasteners.



Step 3

Run full width flashing from upper side of upstand to underneath the ridgecap and screw down securely.

Sit the fan on top of upstand and fasten fan base to upstand.





Vertical Discharge Roof Fans

General Description

Fanquip Vertical Discharge Roof Fans are purpose built to suit a wide range of exhaust applications found in industry. They are especially suitable for situations requiring discharge to be high above the roof line. The fan base and spigot are fabricated from either aluminium or hot dip galvanised steel, depending on the client's preferences.

Accessories/Options:

Casing options include stainless steel or a powder-coated finish to match colourbond sheets. Motor options include smokespill, flameproof (Ex(d) or Ex(e)) and two speed motors. Upstands are available to suit most roof profiles and pitches. (See installation guide on the inside of this flyer)

Applications

Extensive range of applications in factories, plant rooms, workshops, processing plants and machinery. Used for extraction of heat, steam, dust, stale air and fumes.

Technical Advice

Industrial Fan Equipment Pty Ltd (Fanquip) has technical consultants available to give advice on the correct choice of Vertical Roof Fans for your needs.

Installation and Maintenance

The procedures as outlined in Fanquip installation, operation and maintenance instructions (separate leaflet), should be followed to ensure satisfactory performance and service life.

Warranty

Twelve months guarantee on mechanical and electrical componentry subject to satisfactory maintenance with assessment and rectification, if any, to take place after return by customer to Fanquip's workshop, or by approval on site.

